



WAG S.A.

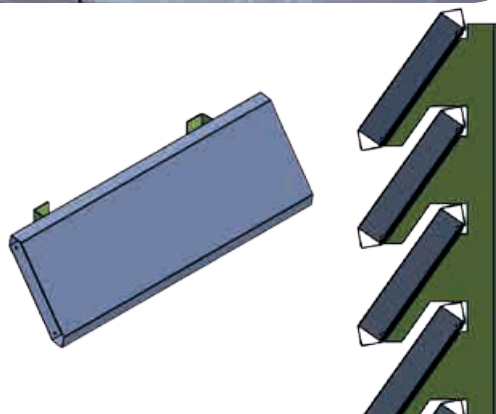
WORLD ACOUSTIC GROUP

ACOUSTIC LOUVERS



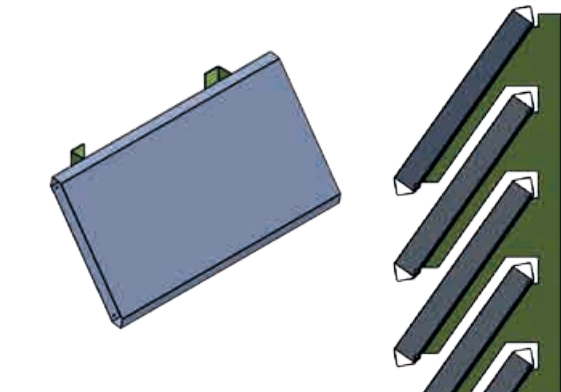
WAG S.A. has over 20 years of experience in designing and implementing acoustic protection solutions worldwide.

ACOUSTIC LOUVERS WAG AL 260



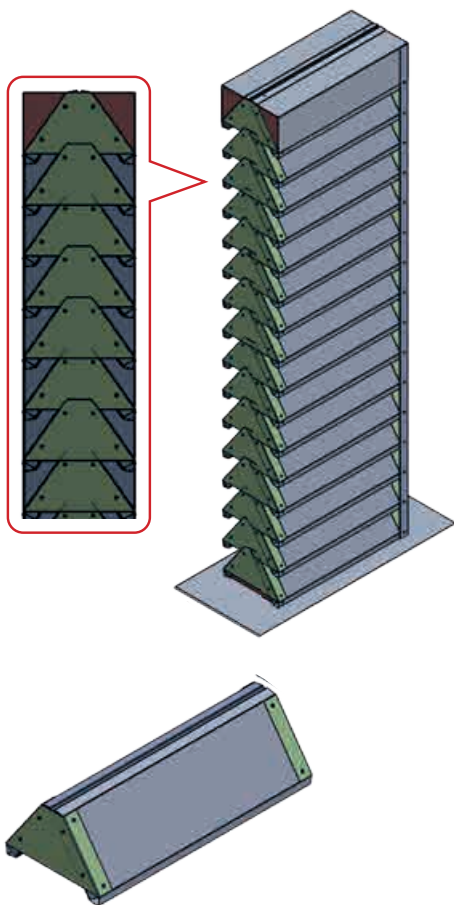
| | |
|----------------------------------|------------------|
| TYPE OF ACOUSTIC LOUVERS | AL 260 |
| LENGH max | 4200 mm |
| TYPE OF SUPPORTING STRUCTURE | max 1,50m |
| TYPE OF MATERIAL | Aluminium stucco |
| HEIGHT | 260 mm |
| INCLINATION ANGLE | 55 pcs. |
| ACOUSTIC INSULATION INDEX $R_w=$ | 15dB |
| OPTICAL CROSS SECTION | 71 % |
| PHYSICAL CROSS SECTION | 27 % |
| COLORS | RAL |

ACOUSTIC LOUVERS WAG AL 400

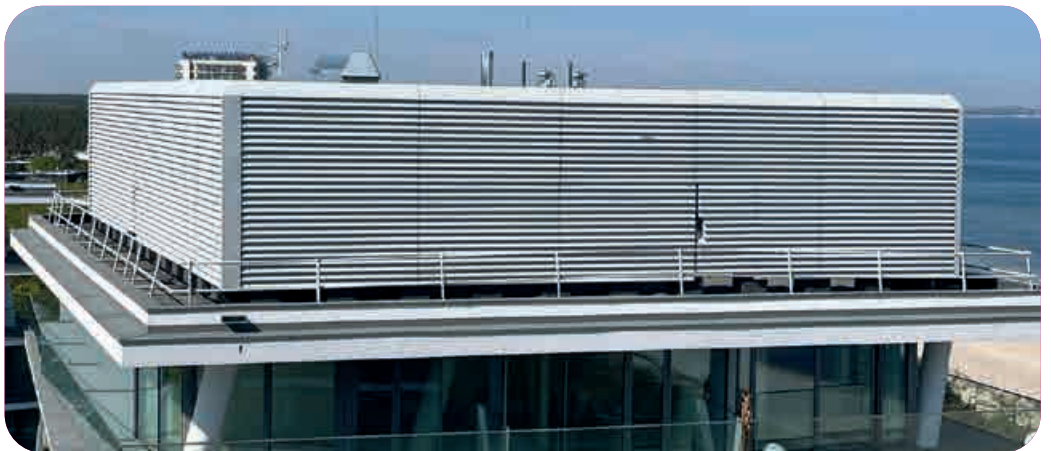
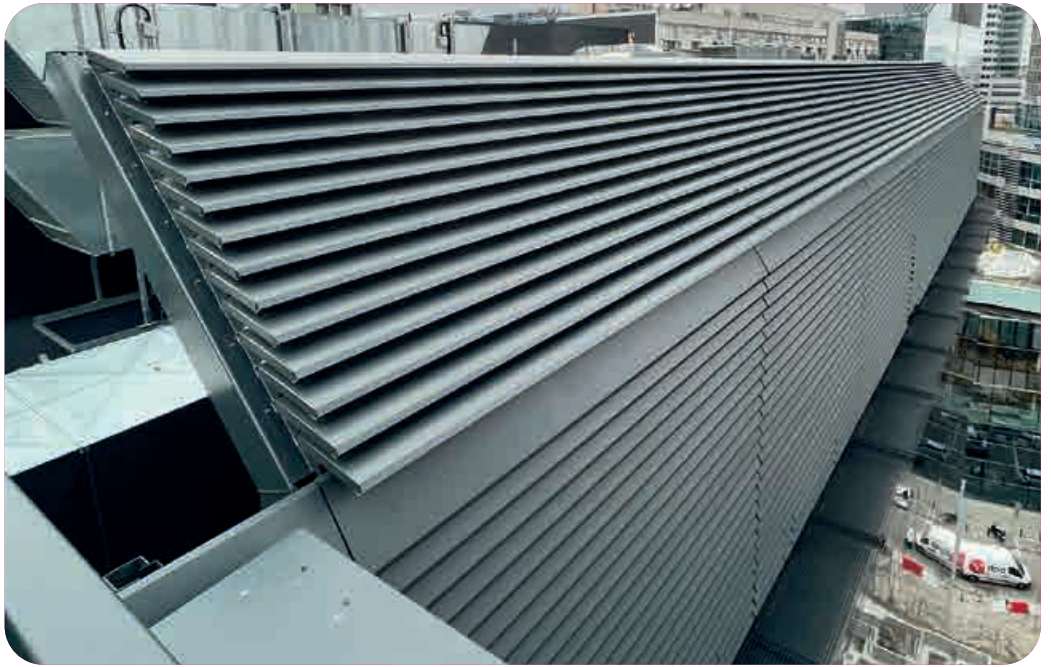


| | |
|-----------------------------------|------------------|
| TYPE OF ACOUSTIC LOUVERS | AL 400 |
| LENGH max | 4200 mm |
| TYPE OF SUPPORTING STRUCTURE | max 1,50m |
| TYPE OF MATERIAL | Aluminium stucco |
| HEIGHT | 400 mm |
| INCLINATION ANGLE | 55 pcs. |
| ACOUSTIC INSULATION INDEX R_w = | 15dB |
| OPTICAL CROSS SECTION | 71 % |
| PHYSICAL CROSS SECTION | 27 % |
| COLORS | RAL |

ACOUSTIC LOUVERS AL 260 AA



| | |
|-----------------------------------|------------------|
| TYPE OF ACOUSTIC LOUVERS | AL 260 AA |
| LENGH max | 4200 mm |
| TYPE OF SUPPORTING STRUCTURE | max 1,50m |
| TYPE OF MATERIAL | Aluminium stucco |
| HEIGHT | 262 mm |
| INCLINATION ANGLE | 55 pcs. |
| ACOUSTIC INSULATION INDEX R_w = | 18 [-1; -4] dB |
| OPTICAL CROSS SECTION | 329 mm |
| PHYSICAL CROSS SECTION | 28 % |
| COLORS | RAL |





RANGE OF ACTIVITIES

- ▶ ACOUSTIC ANALYSIS
- ▶ ACCESSORIES FOR ACOUSTIC SCREENS
- ▶ PRODUCTION OF FILLINGS FOR SOUND-ABSORBING AND SOUND-REFLECTING SCREENS
- ▶ ACOUSTIC ROOF SCREENS
- ▶ INDUSTRIAL SOUND PROTECTION SYSTEMS
- ▶ PRODUCTION OF SELF-SUPPORTING ARCHES FOR RAILWAYS, AGRICULTURE AND INDUSTRY
- ▶ ENGINEERING DESIGN OF SELF-SUPPORTING PALISADE CLADDING SYSTEMS
- ▶ CONSTRUCTION OF FOUNDATION FOR NOISE BARRIERS USING DRIVEN STEEL PILES TECHNOLOGY
- ▶ INTALLATION OF SCREENS IN ROCKY GROUNDS
- ▶ CONSTRUCTION OF SHUTTER WALLS REINFORCED WITH MESH
- ▶ IMPLEMENTATION OF ROAD AND RAILWAY SCREENS

World Acoustic Group S.A.

Chróstnik 104, 59-311 Lubin, tel. **0048 767 592 050**

e-mail: **biuro@wagsa.eu**

wagsa.eu