



WAG S.A.

WORLD ACOUSTIC GROUP

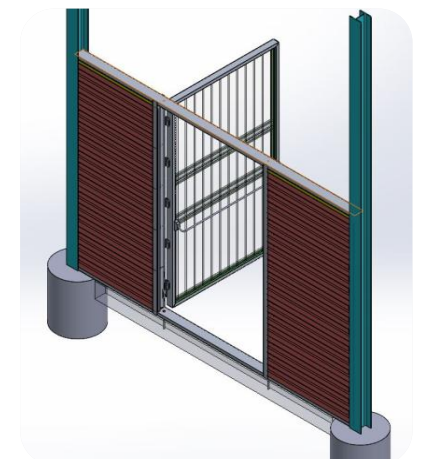
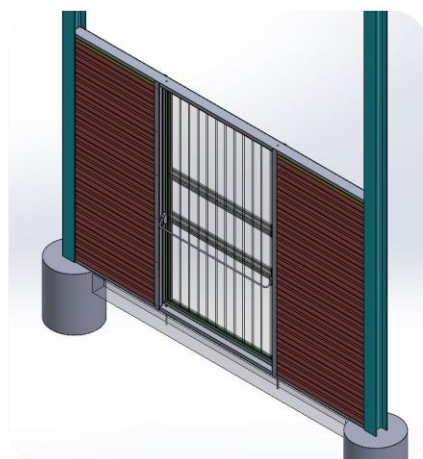
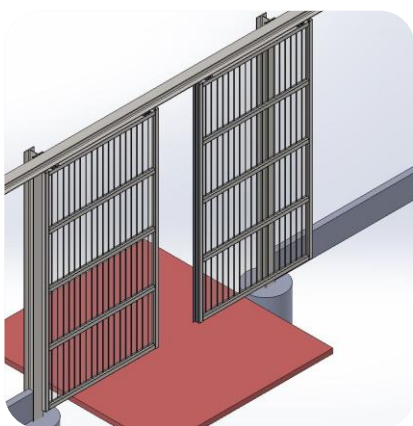
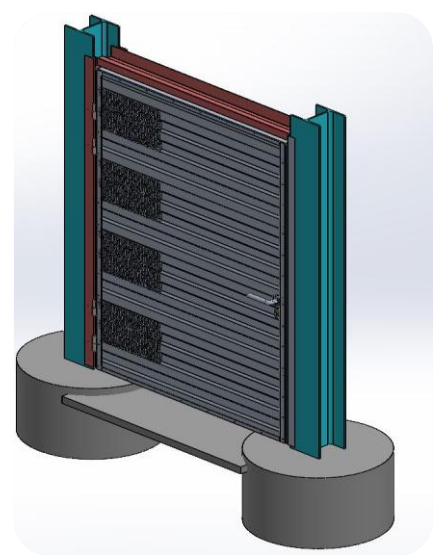
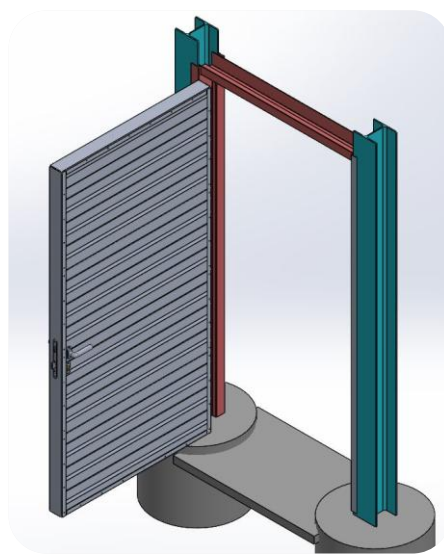
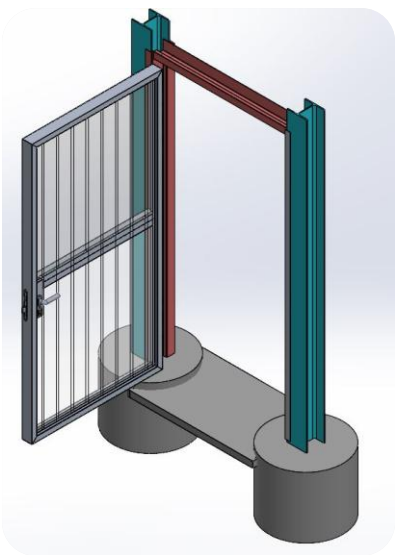
ACCESSORIES



WAG S.A. has over 20 years of experience in designing and implementing acoustic protection around the world.

ACOUSTIC EMERGENCY DOORS

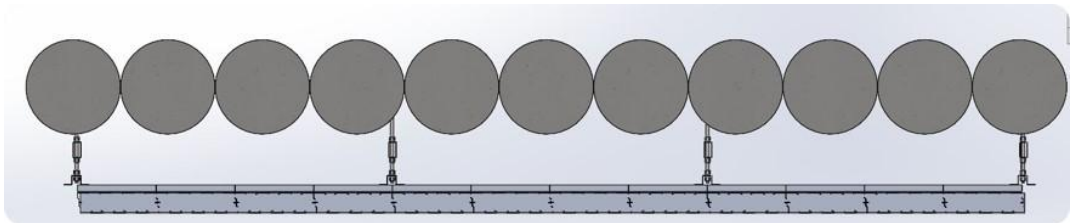
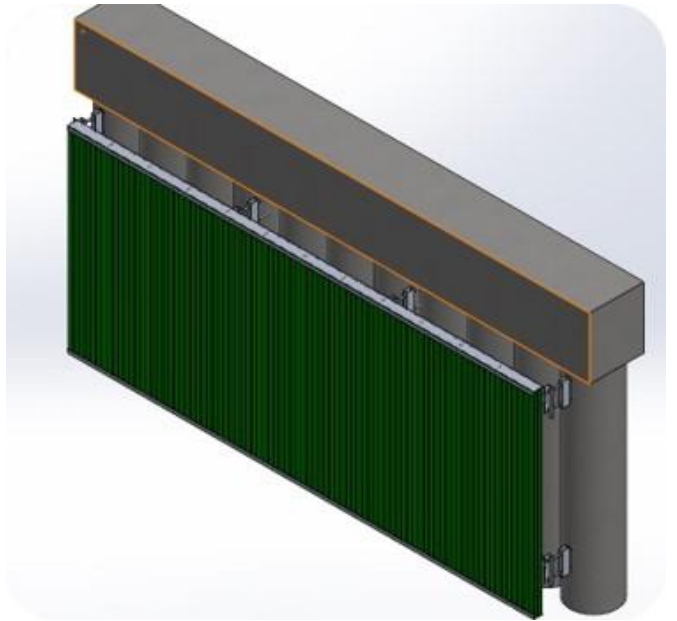
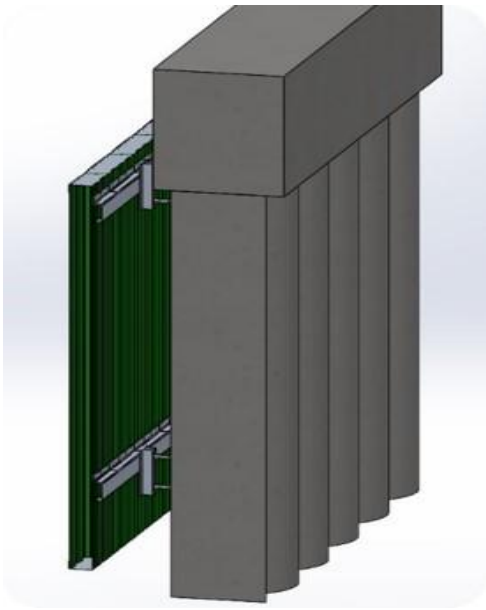
Property	Declared value
Door height H _{min} Door height H _{so}	2155 mm 2100 mm
Door width L _s Door width L _{so90}	1350÷2000 mm 964÷1614 mm
Door leaf thickness	125 mm
Cross-section of door supporting pole	HEA 160/ HEB 160
Escape route	Meets the requirements
The door leaf is filled with WNC B acoustic panels	Meets the requirements
Sound absorption coefficient for WNC B panel	DL _a = 14 dB
Airborne sound insulation coefficient for WNC B panel	DL _R = 26 dB
Fasteners and hinges	Aluminium, Stainless steel
Environmental protection	100% recycable
Durability of non-acoustic performance	Not less than 10 years
Inflammability	Non-flammable materials
Door weight in accordance 1÷2	50÷67 kg



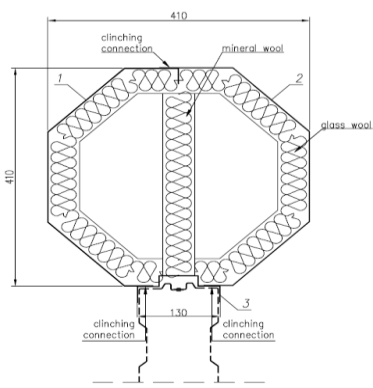
ACOUSTIC EMERGENCY DOORS AND GATES



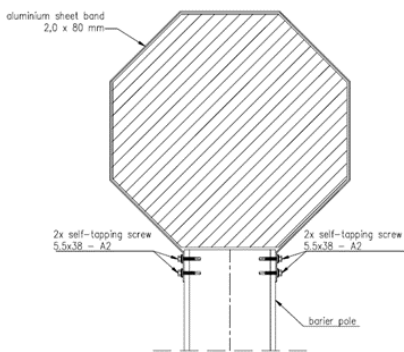
ALUMINUM PALISADE COVERS



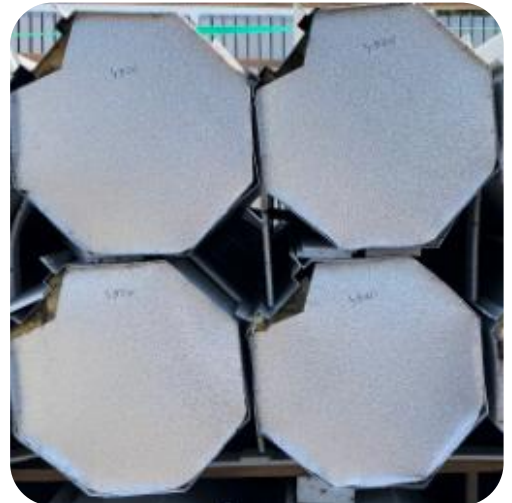
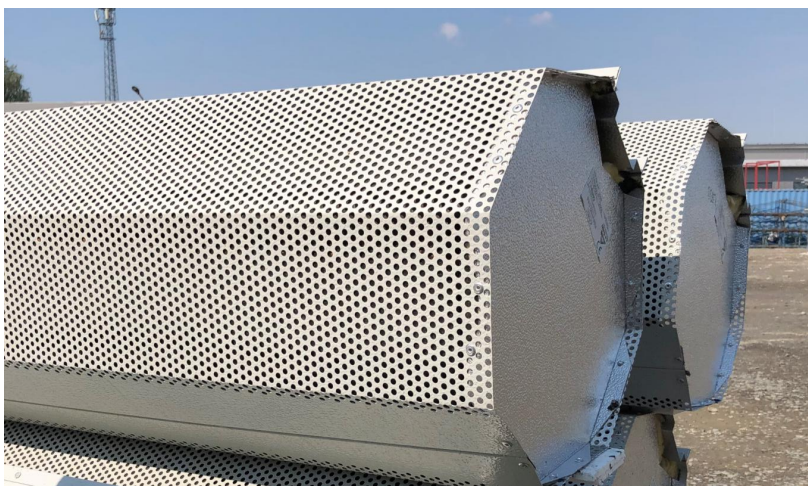
OKTAGONAL WAG NOISE REDUCERS



Detail of fixing on acoustic screen steel post



WIDTH	0,41M
HEIGHT	0,41M
LENGTH	Up to 5,00m
MAX. WIND LOAD QLS(l=5,0m)	2,5kN/m ²
TYPE OF MOUNTING	montaż na słupach dwuteowych HEB/A przy pomocy opasek
SPACE OF SUPPORT STRUCTURE	do 5,00m
TYPE OF MATERIAL	Aluminium
DRY WEIGHT	7,29kg/m ^b
ENVIRONMENTAL PROTECTION	100% recyclable
COLOUR	RAL





RANGE OF ACTIVITIES

ACOUSTIC ANALYSIS

ENGINEERING DESIGN

**PRODUCTION OF FILLINGS FOR
ABSORBING AND REFLECTING
SCREENS**

**SELF-SUPPORTING PALISADE
FACING SYSTEM**

**ACCESSORIES FOR ACOUSTIC
SCREENS**

**CONSTRUCTION OF FOUNDATIONS FOR
ACOUSTIC SCREENS USING DRIVEN
STEEL PILE TECHNOLOGY**

ACOUSTIC ROOF SCREENS

**FOUNDATION OF SCREEN POLES IN
THE CASE OF ROCKY GROUND**

**INDUSTRIAL ACOUSTIC
PROTECTION SYSTEM**

**CONSTRUCTION OF SHEET WALLS
REINFORCED WITH CAP**

**IMPLEMENTATION OF ROAD AND
RAILWAY SCREENS**

**MANUFACTURING SELF-SUPPORTING
ARCHES FOR RAILWAYS,
AGRICULTURE AND INDUSTRY**

Chróstownik 104, 59-311 Lubin

NIP: 692 22 60 446

www.wagsa.eu